



CM 03-17

Makin' Change

RULES: Practical Shooting Handbook, Latest Edition **COURSE DESIGNER:** George Jones — Modifications by US Design Team

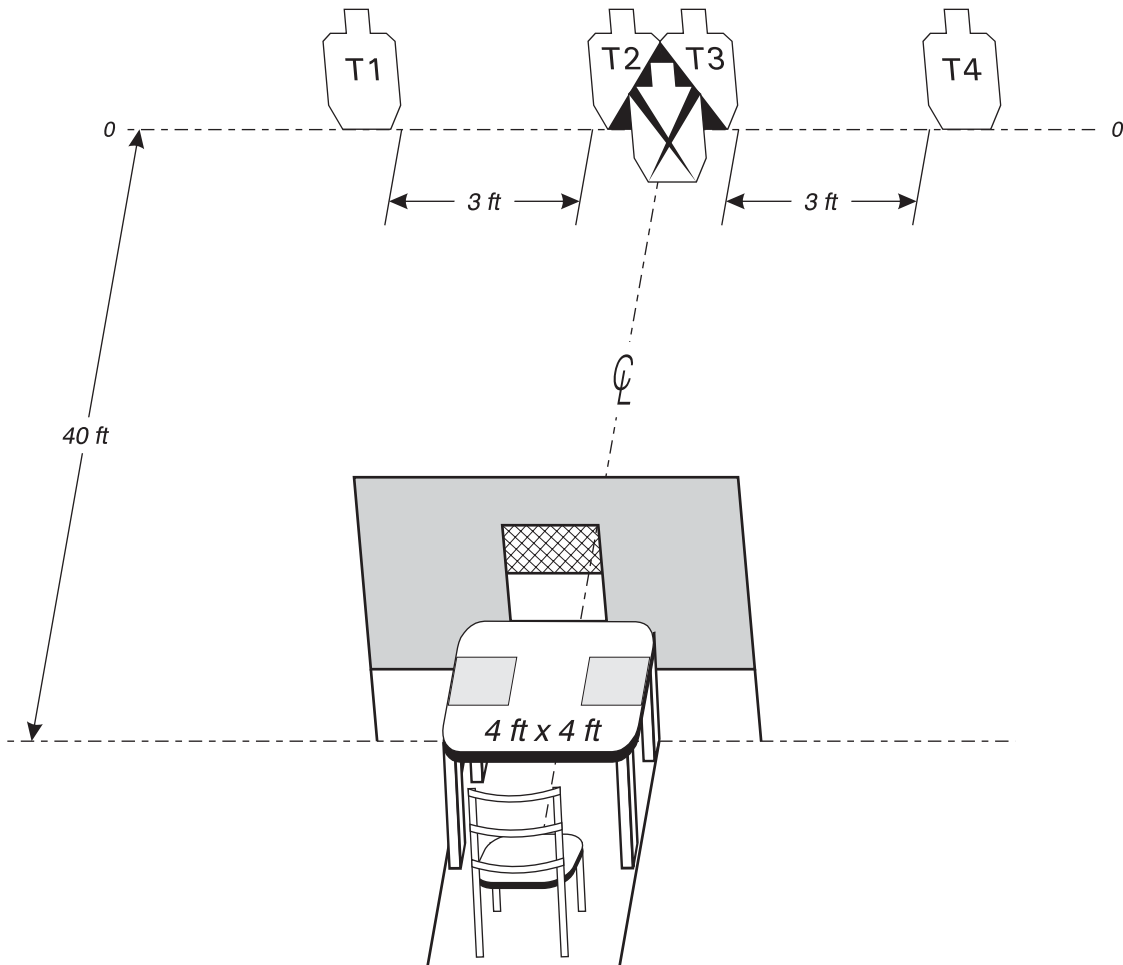
START POSITION: Sitting in chair, facing downrange, knees under table, elbows on table with a dollar bill held in both hands. Unloaded gun is on either rug, not artificially propped, muzzle pointing downrange, slide forward/cylinder closed, hammer down. Only mags/loaders on rugs can be used.

STAGE PROCEDURE

Upon start signal, engage targets from within fault lines.

SCORING

SCORING: Comstock, 8 rounds, 40 points
TARGETS: 4 IPSC
SCORED HITS: Best 2/paper
START - STOP: Audible - Last shot
PENALTIES: Per current edition USPSA Practical Shooting Handbook.



SETUP NOTES: Table is 4 feet by 4 feet, 30 inches high centered on centerline. Vision barrier is 4-feet-by-8-feet panel centered on centerline with a 2-feet-by-2-feet square port centered in the wall. The port is divided in half horizontally by a piece of 1"x2" lath with window screen covering the upper half. Bottom of the port is at table top height. (Wall will have to be raised off



ground.) T1 and T4 are 4 feet to shoulder. T2 and T3 are 54 inches to shoulder. No-shoot is stapled to T2/T3 array so that shoulders of no-shoot touch respective hard cover lines. Rugs are 12-inches-by-12-inches set 18-inches from front edge and even with the sides of the table.